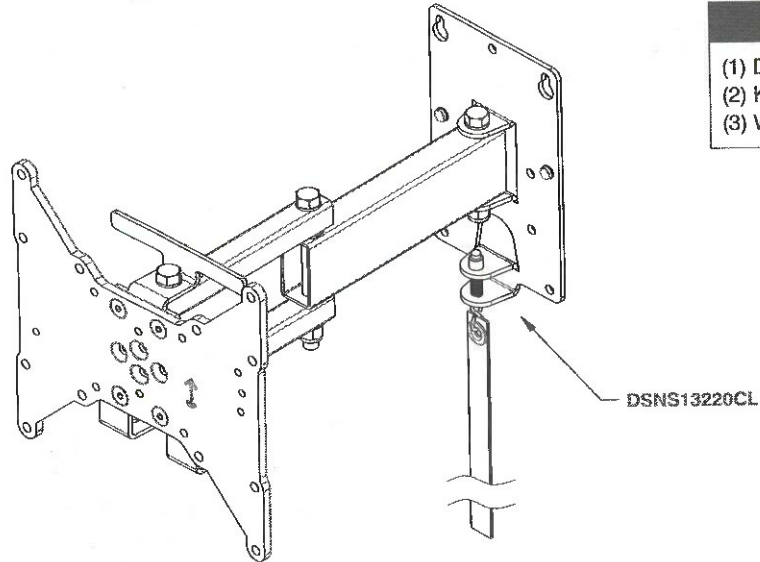




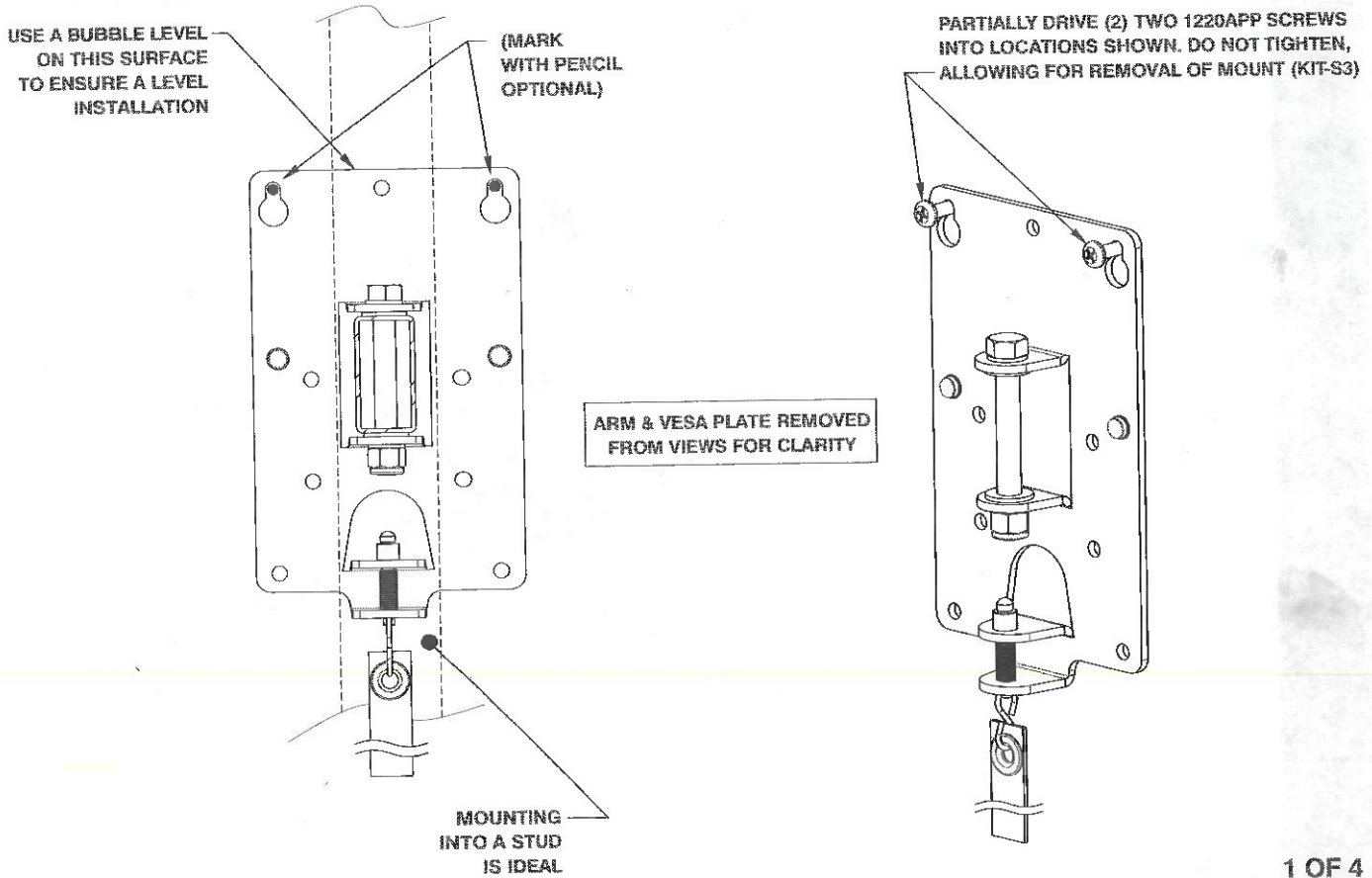
Read ALL instructions prior to installation. Ramco Engineering, Inc., the manufacturer of moview® products, cannot be responsible for any damage or injury resulting from improper installation, adjustments, or use of moview® products. It is the responsibility of the purchaser to read and fully understand all directions contained herein. Ramco will not be held responsible for any use of alternate hardware not specified in the instructions and included in supplied hardware packs. For any questions or concerns about the product, please contact Ramco Engineering at 574.266.1455 or email us at customerservice@ramco-eng.com. Thank you for your purchase. Please visit moview.com for further flat panel mounting solutions.



BOX CONTENTS
(1) DSNS13220CL MOUNT
(2) KIT-S2, KIT-S3
(3) WEBKIT5 PACKET

1 PREPARING THE MOUNTING AREA

WHEN POSSIBLE, LOCATE AN AREA SUITABLE FOR DISPLAY VIEWING THAT WOULD ALLOW WALL STUD MOUNTING. AFTER LOCATING A STUD, CENTER, LEVEL, AND PARTIALLY DRIVE (2) TWO 1220APP SCREWS FROM KIT-S3, INTO TOP LATERAL HOLES AS SHOWN, MOUNTING INTO A SOLID SUBSTRATE. FOR DRYWALL MOUNTING, ADDITIONAL FASTENING HARDWARE MAY BE REQUIRED. REMOVE MOUNT, LEAVING (2) TWO SCREWS.



3 PLACING THE DISPLAY ASSEMBLY ONTO THE WALL

CAREFULLY LIFT AND HANG YOUR DISPLAY AND MOUNT OVER THE PRE-INSTALLED FASTENERS, INTO THE PLATE KEYWAYS, AS SHOWN. ONCE THEY ARE FULLY SEATED, DRIVE UNTIL SNUG. DO NOT OVER-TIGHTEN. FINISH ADDING FASTENERS, AS DESCRIBED BELOW.

