

GOSHEN STAMPING CO., INC.
 1025 So. 10th St.
 Goshen, IN 46526

Ph. 1-574-533-4108
 FAX 1-574-534-4189

2660 SERIES CRANK-UP LIFT SYSTEM

TELESCOPING POSTS

U.S. PAT. No. 6,206,456

Grease Zerks on
 Front Bottom &
 Back Top of Master
 Tube

⑤ Spring Tubes
 Front Door Side &
 Front Roadside

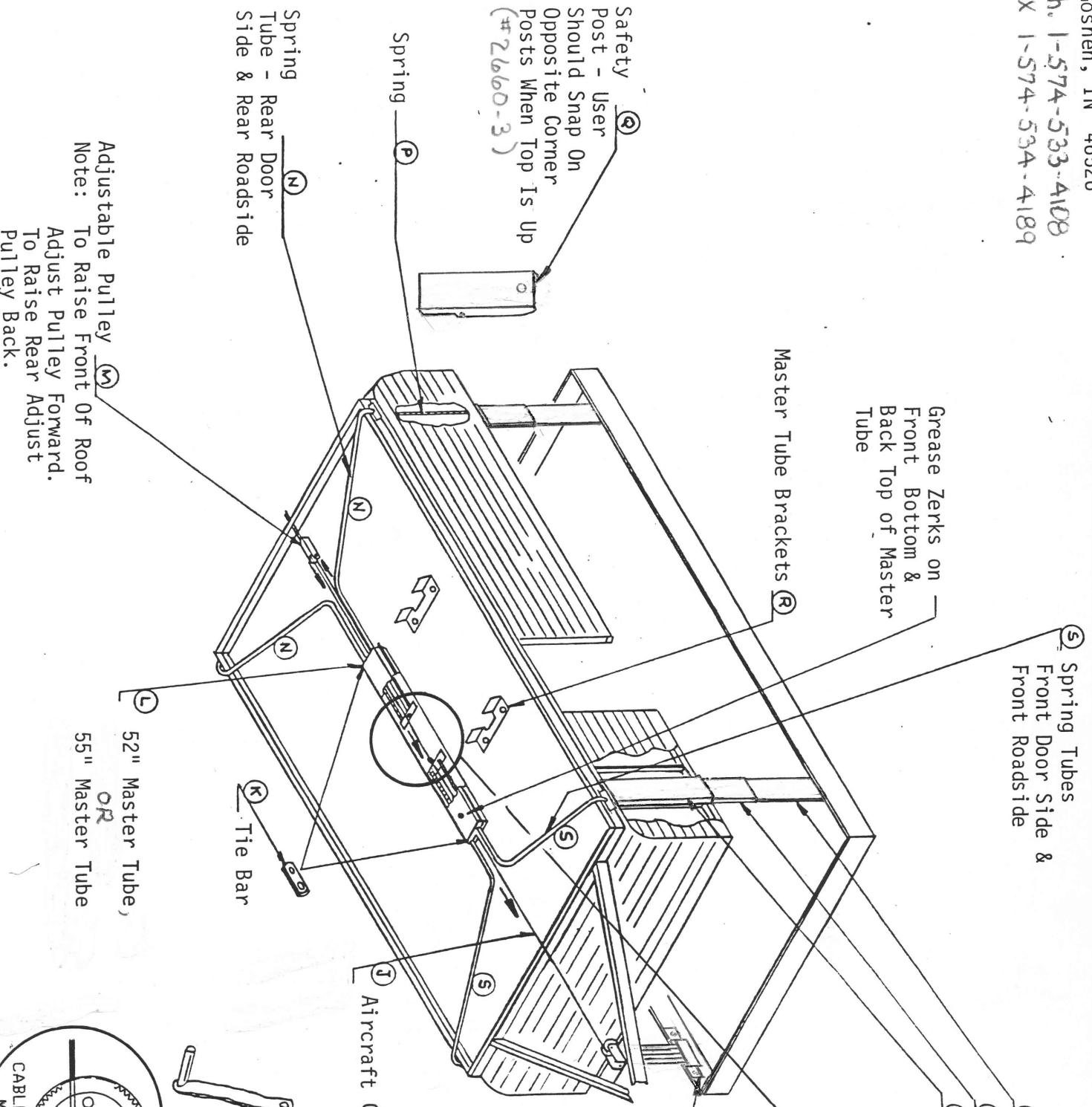
Master Tube Brackets ⑧

④ Safety Post - User
 Should Snap On
 Opposite Corner
 Posts When Top Is Up
 (#2660-3)

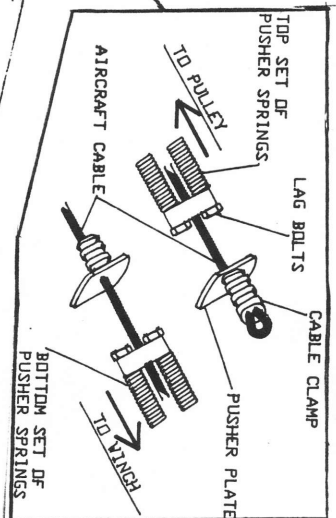
Spring ⑥

Spring Tube - Rear Door
 Side & Rear Roadside
 ⑦

Adjustable Pulley ⑭
 Note: To Raise Front Of Roof
 Adjust Pulley Forward.
 To Raise Rear Adjust
 Pulley Back.



① INNER POST	# 2660-10
② MIDDLE POST	# 2660-11
③ OUTER POST	# 2660-12



④ Roof Bracket
 Pt. # 2660-8
 WITH CLEVIS PIN
 AND BOW TIE
 COTTER PIN
 (lean) PER CORNER

⑩ Aircraft Cable

⑪ Tie Bar

⑬ 52" Master Tube,
 OR
 55" Master Tube

