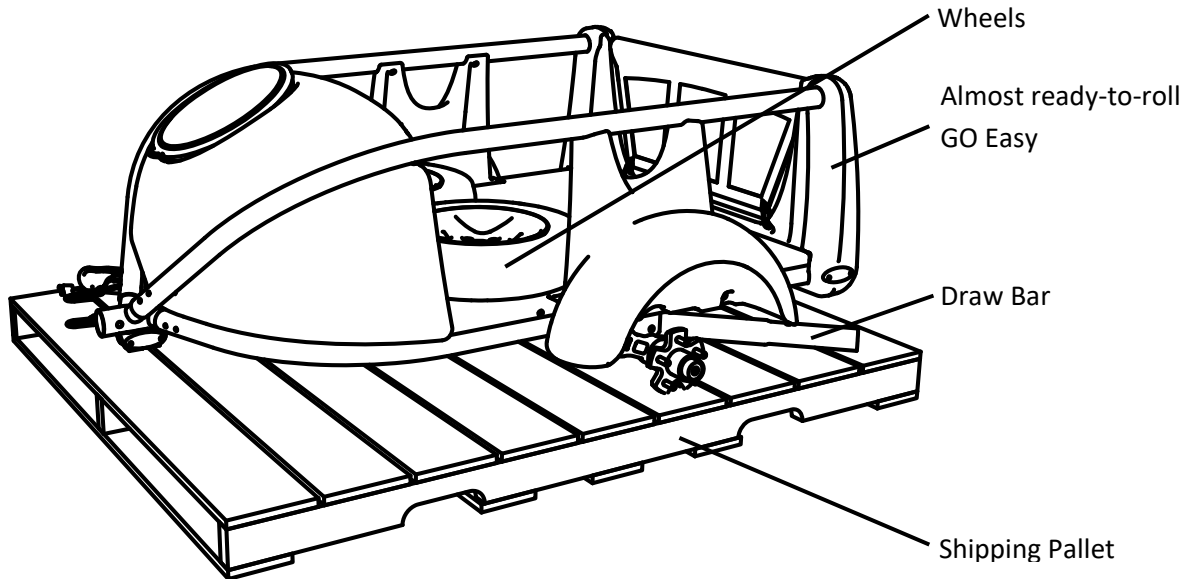


GO Easy Assembly Manual (flat crated delivery)

Revision 3



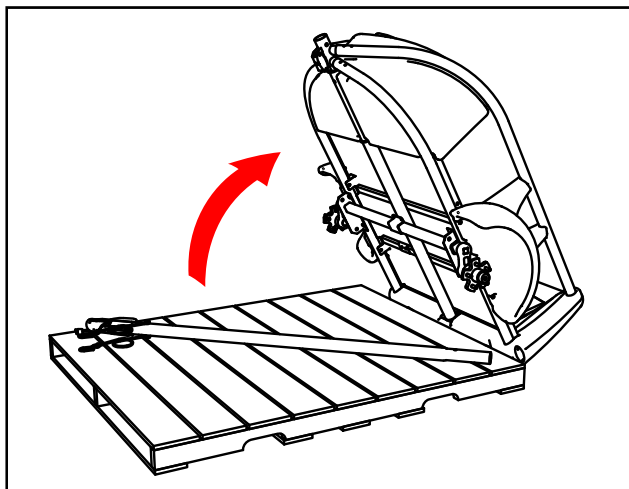
Components



Caution: Be careful when handling parts during assembly. Some are heavy. Having a second person assist you in lifting and moving parts is recommended.

Caution: Some components have sharp edges. Wear gloves and eye protection during assembly to prevent injury.

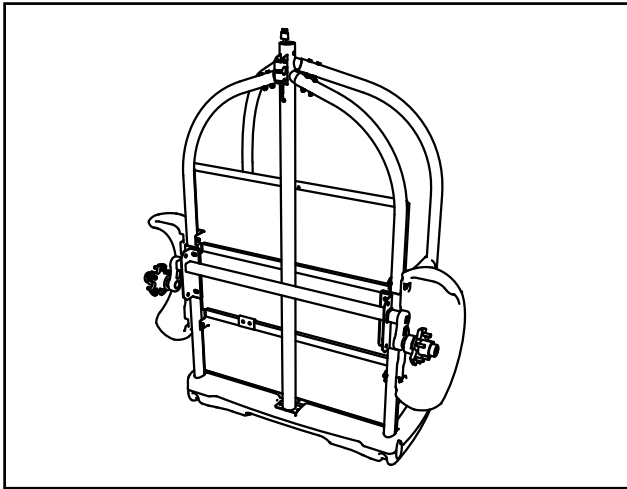
1



Place the pallet on a flat, level surface. Remove all packaging and carefully rotate the trailer up onto its rear end.

Note: The trailer is heavy and assistance from a friend is needed.

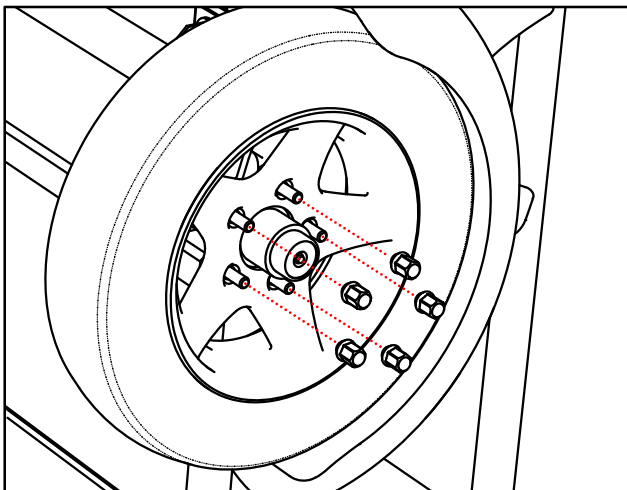
2



Make sure surface is smooth and level to safely support the trailer in this position.

Trailer is ready for wheel assembly.

3



Install *Wheels and Lug Nuts*. Partially tighten the *Lug Nuts* and the lower trailer to the ground before completing this operation.

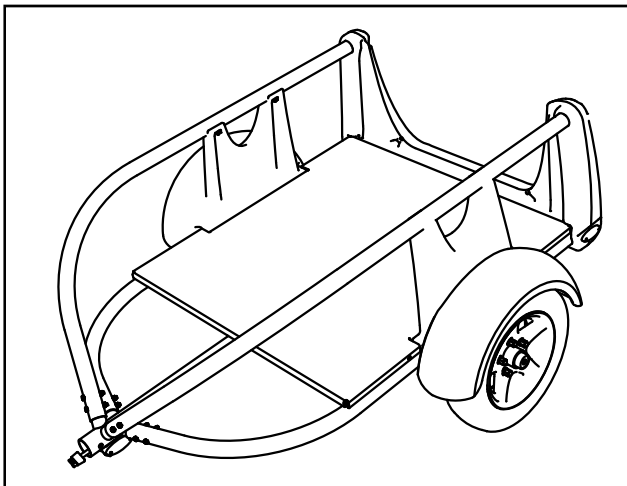
Parts:

2 – Wheels

10 – Lug Nuts

Caution: The trailer is heavy and assistance from a friend is needed to lower the trailer safely.

4



After returning the trailer to the lowered position, complete the *Lug Nut* tightening in three stages following the numbered sequence shown below for each stage.

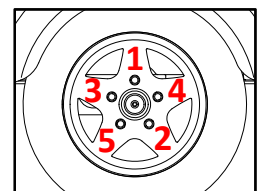
Use a 19mm (3/4") socket.

Stages:

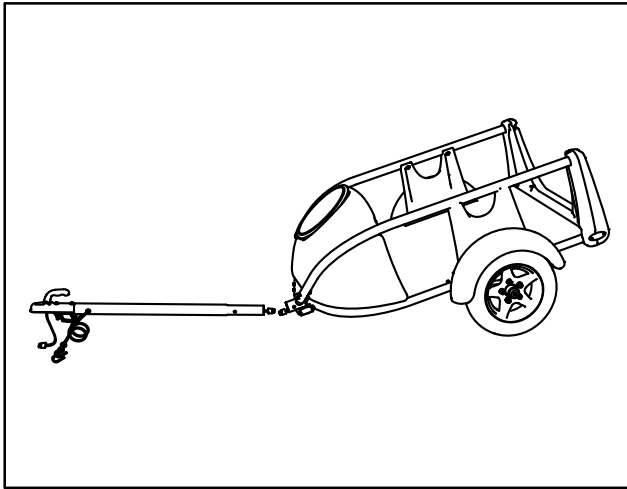
1: 20 – 25 ft-lb. torque

2: 35 – 40 ft-lb. torque

3: 50 – 75 ft-lb. torque

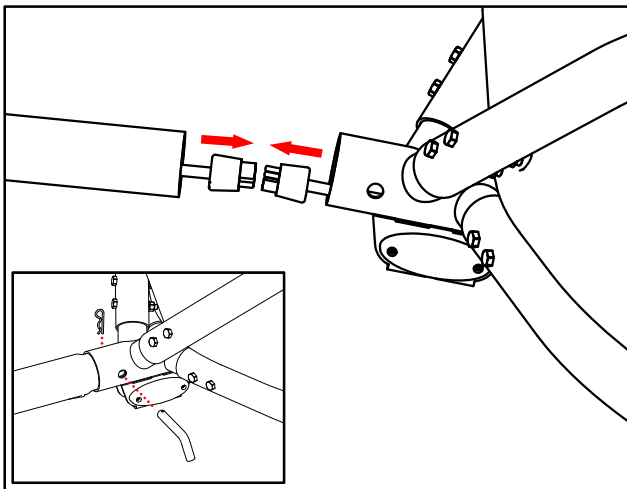


5



Place the *Draw Bar* in front of the trailer.

6

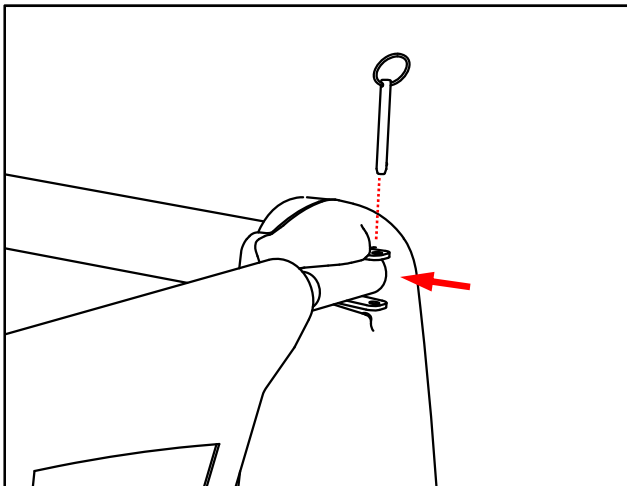


Connect wire harness plugs. Then lift the front end of the trailer body to install the trailer's *Draw Bar* assembly. Insert the *hitch pin* and secure it using the *retaining clip*.

Parts:

- 1 – Draw Bar
- 1 – Hitch Pin
- 1 – Retaining Clip

7



Install *Tailgate*. Attach clips at lower corners. Insert crossbar in brackets and insert *retaining pins*.

Parts:

- 1 – Tailgate
- 2 – Retaining Pins